

# ONE SERIES

The One Series combines traditional forming methods and Insulated Concrete Form technology together.

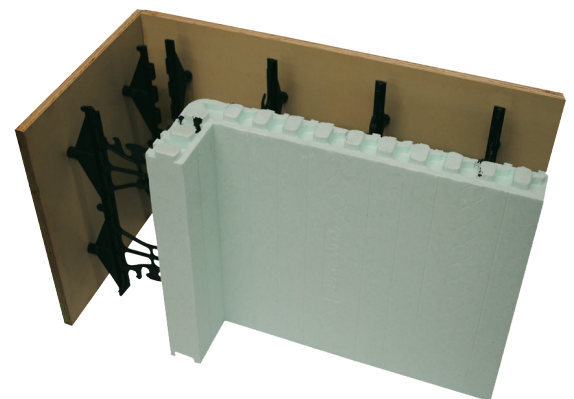
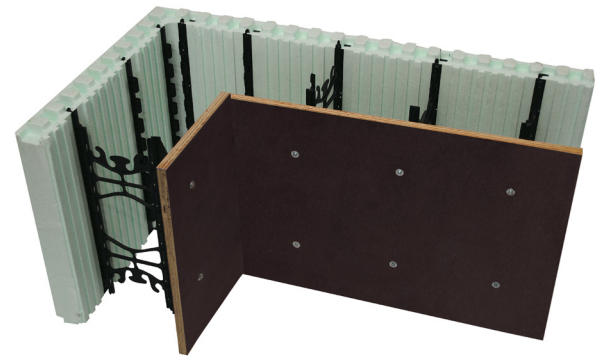
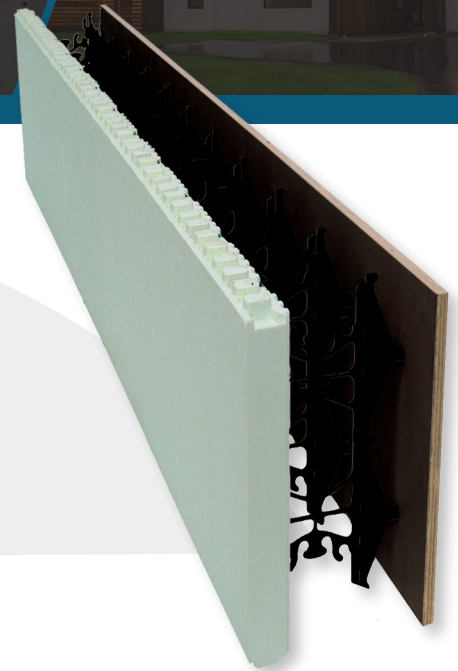
## Product Overview

The One Series offers users the ability to reduce labor by eliminating the need to strip foam for elevator shafts, stairwells and other areas that require a non-combustible finish. The One Series provides architects the ability to have more versatility with design for multi-storey, educational and commercial warehouses. For home builders, the One Series is ideal for pools and anywhere only one side of foam is required. Transition between concrete and foam is seamless, the unique design allows concrete to meet with the outside edge of a Nudura foam panel. The DURA MULTI-LINK<sup>®</sup> tie uses attachment points that have been created to alleviate webs being visible on the concrete side of the wall. This innovative design features only two small connection points per web that are easily covered over and hidden. The end result is a smooth interior or exterior concrete surface.

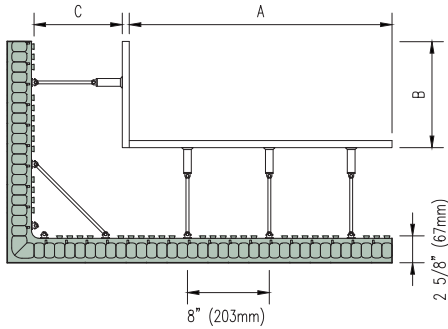
## Features & Benefits

- Industry's first multi-link form
- Reduced labor – no need to strip foam
- Design versatility
- Features Nudura's Innovative Patented Technologies
- Concrete Core Widths from 6 5/8 in (168mm) to 14 5/8 in (371mm)

The One Series features DURAMAX Technology<sup>®</sup>, the industry's largest standard form on the market, 8ft (2.4m) long by 18in (457mm) high placing 12 sq. ft. (1.11m<sup>2</sup>) of wall area in one building step.

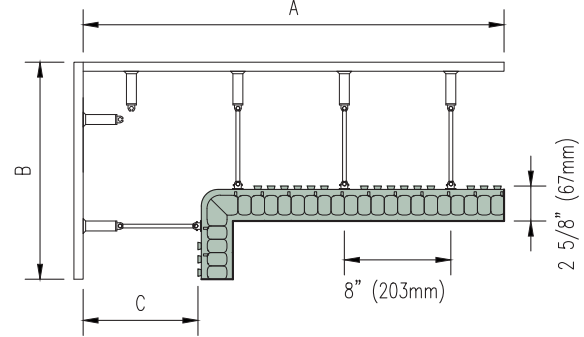


### 90° Corner EPS Panel Outside



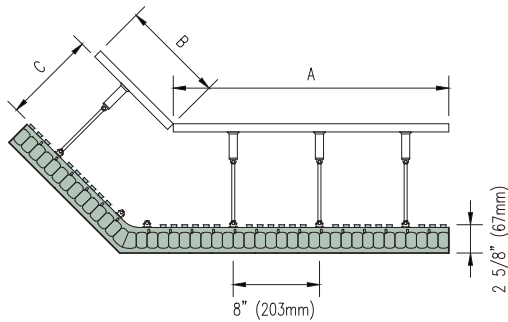
DIMENSIONS			
INSERT WEB DIMENSIONS	A	B	C
4" (102mm)	2'-3 5/8" (701mm)	1'-0 3/8" (314mm)	6 5/8" (168mm)
6" (152mm)	2'-1 5/8" (650mm)	10 3/8" (263mm)	8 5/8" (219mm)
8" (203mm)	1'-11 5/8" (600mm)	8 3/8" (212mm)	10 5/8" (270mm)
10" (254mm)	1'-9 5/8" (549mm)	6 3/8" (161mm)	12 5/8" (321mm)
12" (305mm)	-	-	-

### 90° Corner EPS Panel Inside



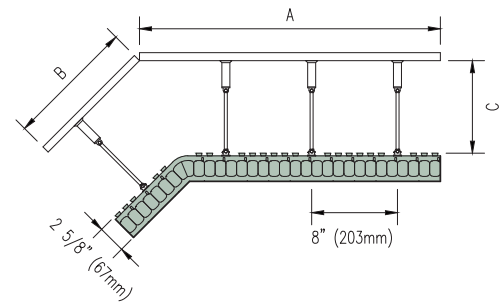
DIMENSIONS			
INSERT WEB DIMENSIONS	A	B	C
4" (102mm)	2'-5 5/8" (752mm)	1'-2 3/8" (366mm)	6 5/8" (168mm)
6" (152mm)	2'-7 5/8" (803mm)	1'-4 3/8" (416mm)	8 5/8" (219mm)
8" (203mm)	2'-9 5/8" (854mm)	1'-6 3/8" (467mm)	10 5/8" (270mm)
10" (254mm)	2'-11 5/8" (905mm)	1'-8 3/8" (518mm)	12 5/8" (321mm)
12" (305mm)	3'-1 5/8" (956mm)	1'-10 3/8" (569mm)	14 5/8" (371mm)

### 45° Corner EPS Panel Outside

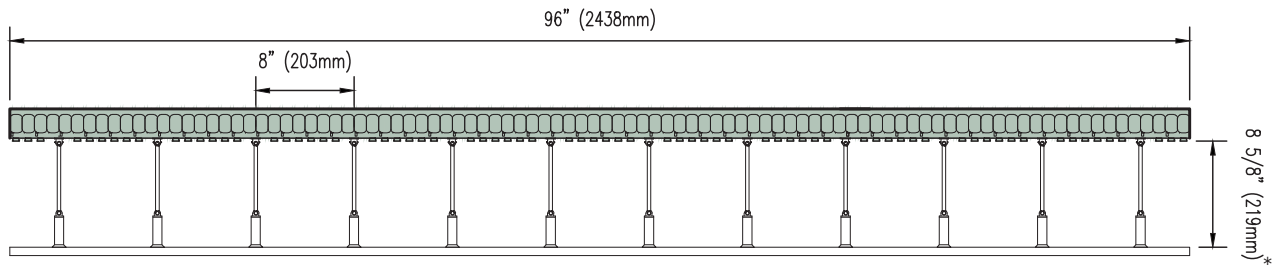


DIMENSIONS			
INSERT WEB DIMENSIONS	A	B	C
4" (102mm)	2'-2 3/8" (670mm)	10 3/8" (264mm)	6 5/8" (168mm)
6" (152mm)	2'-1 1/2" (649mm)	9 1/2" (243mm)	8 5/8" (219mm)
8" (203mm)	2'-0 3/4" (628mm)	8 3/8" (222mm)	10 5/8" (270mm)
10" (254mm)	1'-11 7/8" (607mm)	7 7/8" (201mm)	12 5/8" (321mm)
12" (305mm)	1'-11 1/8" (586mm)	7 1/8" (180mm)	14 5/8" (371mm)

### 45° Corner EPS Panel Inside



DIMENSIONS			
INSERT WEB DIMENSIONS	A	B	C
4" (102mm)	2'-3 1/4" (691mm)	11 1/4" (285mm)	6 5/8" (168mm)
6" (152mm)	2'-4" (712mm)	12" (300mm)	8 5/8" (219mm)
8" (203mm)	2'-4 7/8" (733mm)	1'-0 7/8" (327mm)	10 5/8" (270mm)
10" (254mm)	2'-5 3/4" (754mm)	1'-1 3/4" (348mm)	12 5/8" (321mm)
12" (305mm)	2'-6 1/2" (775mm)	1'-3 1/2" (369mm)	14 5/8" (371mm)



\*Dimension varies with insert web width

Nudura Inc. | 27 Hooper Road, Unit 10 | Barrie, ON L4N 9S3 | 866.468.6299 | nudura.com

Tremco CPG brings together Tremco Incorporated's Commercial Sealants & Waterproofing and Roofing & Building Maintenance operating divisions; Dryvit Systems, Inc.; Nudura Inc.; Willseal; Weatherproofing Technologies, Inc. and Weatherproofing Technologies Canada, Inc.



Construction Products Group

Nudura® is a registered trademark of Nudura Inc. Use of the ® symbol indicates registration with the US Patent & Trademark Office and the Canadian Intellectual Property Office.

07/2020

tremcocpg.com